

PROPRIETARY AND CONFIDENTIAL - THE INFORMATION CONTAINED IN THIS DRAWING IS THE SOLE PROPERTY OF POWER ZONE EQUIPMENT INC. ANY REPRODUCTION IN PART OR AS A WHOLE WITHOUT THE WRITTEN PERMISSION OF POWER ZONE EQUIPMENT INC. IS PROHIBITED.

DRAWING TITLE FRAME ASSEMBLY COLLAPSIBLE MID ANGLE Q.PEAK PANEL OVERALL DIMS	
PART NUMBER	GA00CME
CUSTOMER	SOLARSET
DRAWING No	GA00CME-4



46920 County Road E
Center, CO, 81125
(719) 754-1981
www.solarset.com

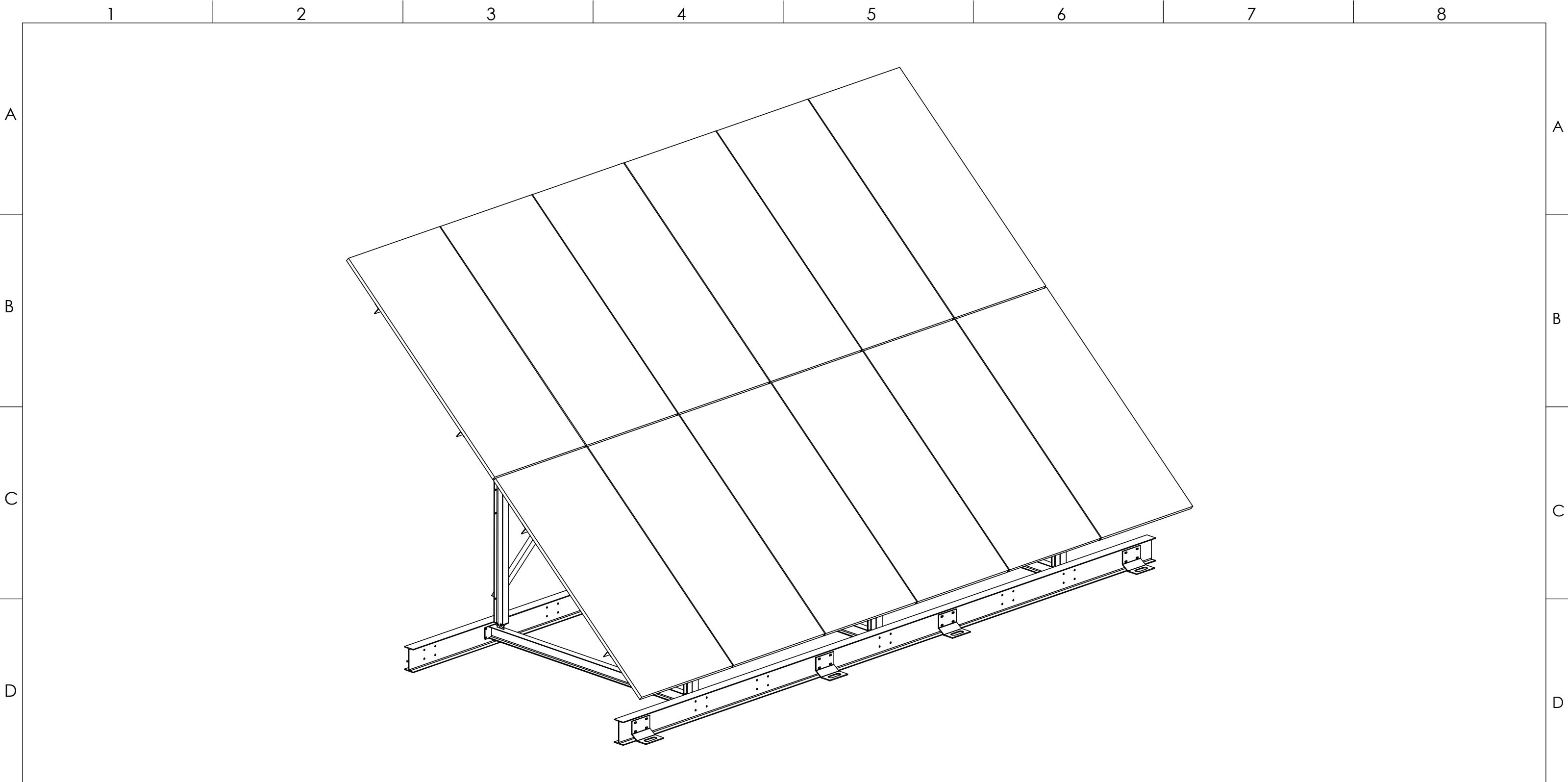
NOT TO SCALE

SHEET 4 OF 73

UNLESS OTHERWISE SPECIFIED, DIMENSIONS ARE IN INCHES.
DIMENSIONS IN PARENTHESES ARE FOR REFERENCE ONLY.

TOLERANCES: X/X = ±1/16"
.XX = ±0.010"
.XXX = ±0.001"

REV	DATE	DESCRIPTION	ID
0	7/14/2023	New Drawing	BB
-	-	-	-
-	-	-	-
-	-	-	-
-	-	-	-



PROPRIETARY AND CONFIDENTIAL - THE INFORMATION CONTAINED IN THIS DRAWING IS THE SOLE PROPERTY OF POWER ZONE EQUIPMENT INC. ANY REPRODUCTION IN PART OR AS A WHOLE WITHOUT THE WRITTEN PERMISSION OF POWER ZONE EQUIPMENT INC. IS PROHIBITED.

DRAWING TITLE
**FRAME ASSEMBLY DRAWING
 COLLAPSIBLE MID ANGLE
 Q.PEAK PANEL
 ISO VIEW FRONT**



46920 County Road E
 Center, CO, 81125
 (719) 754-1981
 www.solarset.com

UNLESS OTHERWISE SPECIFIED, DIMENSIONS ARE IN INCHES.
 DIMENSIONS IN PARENTHESES ARE FOR REFERENCE ONLY.

TOLERANCES: X/X = ±1/16"
 .XX = ±0.010"
 .XXX = ±0.001"

PART NUMBER GA00CME
 CUSTOMER SOLARSET
 DRAWING No GA00CME-5

NOT TO SCALE **SHEET 5 OF 73**

REV	DATE	DESCRIPTION	ID
0	9/14/2023	New Drawing	BB
-	-	-	-
-	-	-	-
-	-	-	-

1 2 3 4 5 6 7 8

A

B

C

D

E

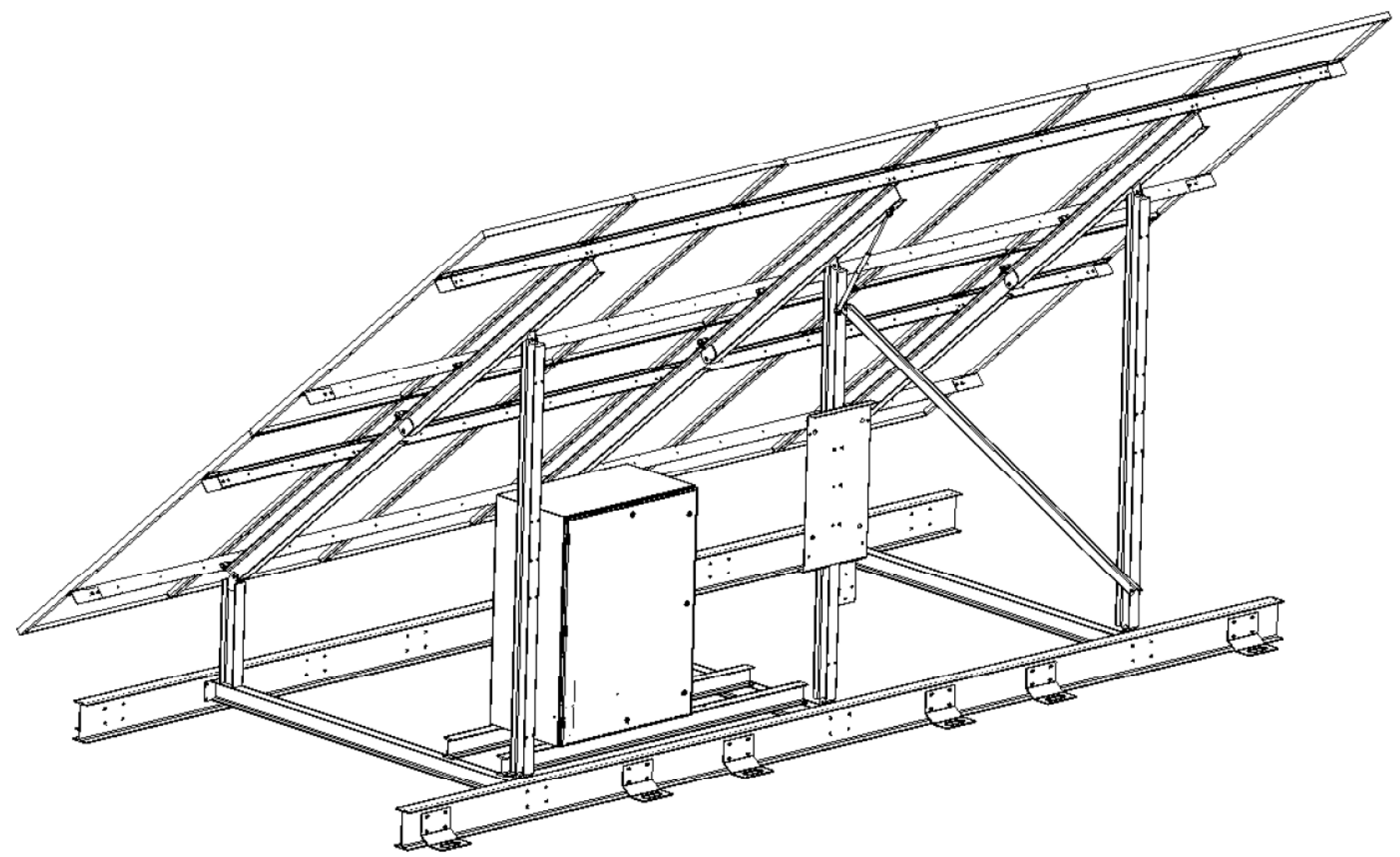
A

B

C

D

E



PROPRIETARY AND CONFIDENTIAL - THE INFORMATION CONTAINED IN THIS DRAWING IS THE SOLE PROPERTY OF POWER ZONE EQUIPMENT INC. ANY REPRODUCTION IN PART OR AS A WHOLE WITHOUT THE WRITTEN PERMISSION OF POWER ZONE EQUIPMENT INC. IS PROHIBITED.

DRAWING TITLE
**FRAME ASSEMBLY DRAWING
 COLLAPSIBLE MID ANGLE
 Q.PEAK PANEL
 ISO VIEW BACK**

PART NUMBER GA00CME
 CUSTOMER SOLARSET
 DRAWING No GA00CME-6



SOLARSET
 46920 County Road E
 Center, CO, 81125
 (719) 754-1981
 www.solarset.com

NOT TO SCALE SHEET 6 OF 73

UNLESS OTHERWISE SPECIFIED, DIMENSIONS ARE IN INCHES.
 DIMENSIONS IN PARENTHESES ARE FOR REFERENCE ONLY.

TOLERANCES: X/X = ±1/16"
 .XX = ±0.010"
 .XXX = ±0.001"

REV	DATE	DESCRIPTION	ID
0	9/15/2023	New Drawing	BB
-	-	-	-
-	-	-	-
-	-	-	-
-	-	-	-

1 2 3 4 5 6 7 8

1 2 3 4 5 6 7 8

A

A

B

B

C

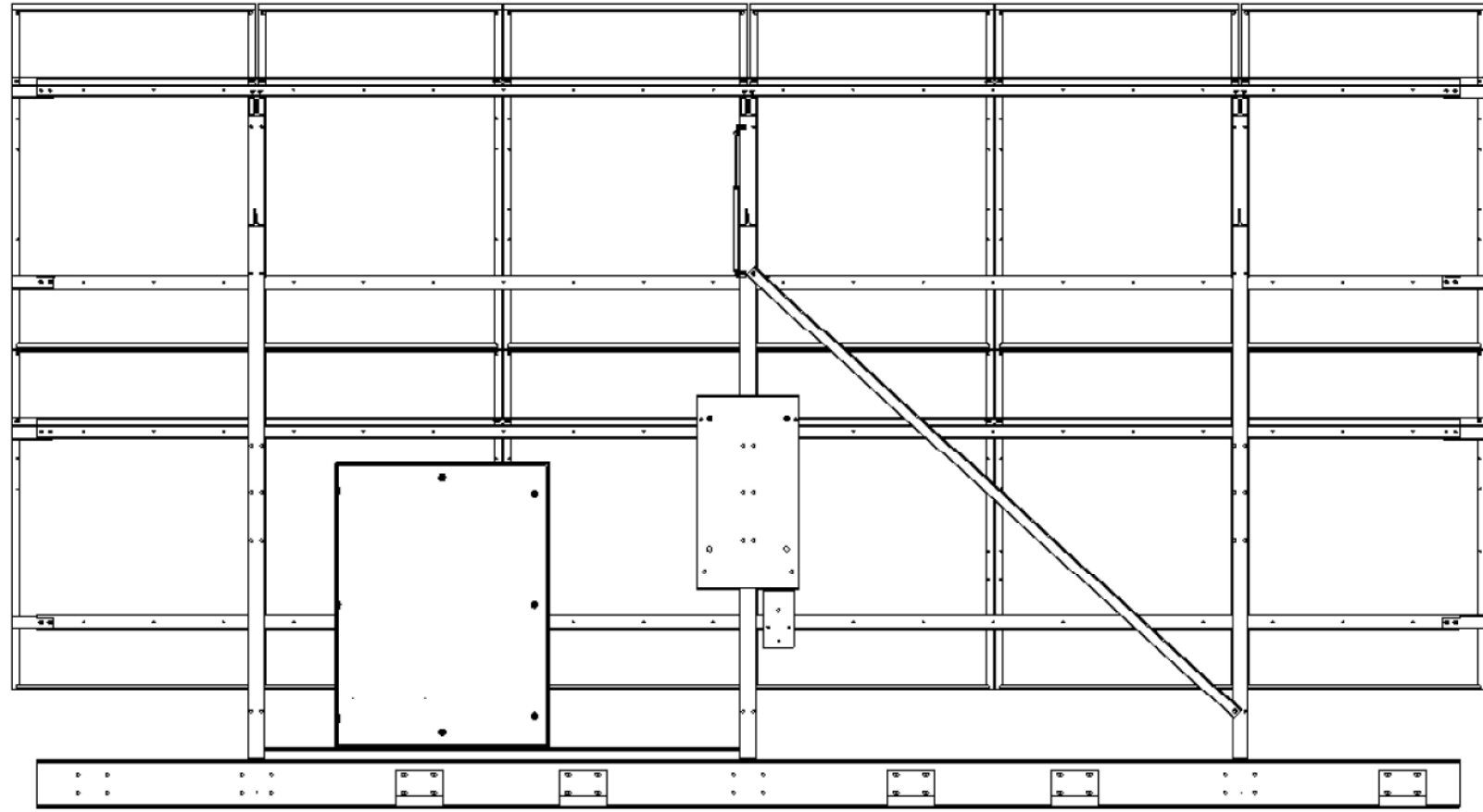
C

D

D

E

E



PROPRIETARY AND CONFIDENTIAL - THE INFORMATION CONTAINED IN THIS DRAWING IS THE SOLE PROPERTY OF POWER ZONE EQUIPMENT INC. ANY REPRODUCTION IN PART OR AS A WHOLE WITHOUT THE WRITTEN PERMISSION OF POWER ZONE EQUIPMENT INC. IS PROHIBITED.

DRAWING TITLE
**FRAME ASSEMBLY DRAWING
 COLLAPSIBLE MID ANGLE
 Q.PEAK PANEL
 BACK VIEW**



46920 County Road E
 Center, CO, 81125
 (719) 754-1981
 www.solarset.com

UNLESS OTHERWISE SPECIFIED, DIMENSIONS ARE IN INCHES.
 DIMENSIONS IN PARENTHESES ARE FOR REFERENCE ONLY.

TOLERANCES: X/X = ±1/16"
 .XX = ±0.010"
 .XXX = ±0.001"

PART NUMBER GA00CME
 CUSTOMER SOLARSET
 DRAWING No GA00CME-7

NOT TO SCALE **SHEET 7 OF 73**

REV	DATE	DESCRIPTION	ID
0	9/15/2023	New Drawing	BB
-	-	-	-
-	-	-	-
-	-	-	-

1 2 3 4 5 6 7 8